

CERTIFICATION  
OF THE QUALITY  
SYSTEM OF THE  
COMPANIES

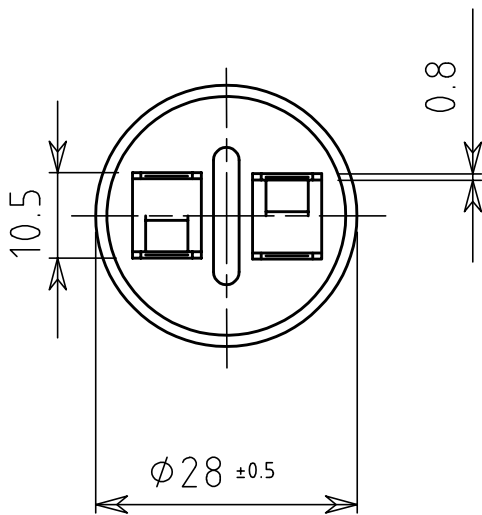
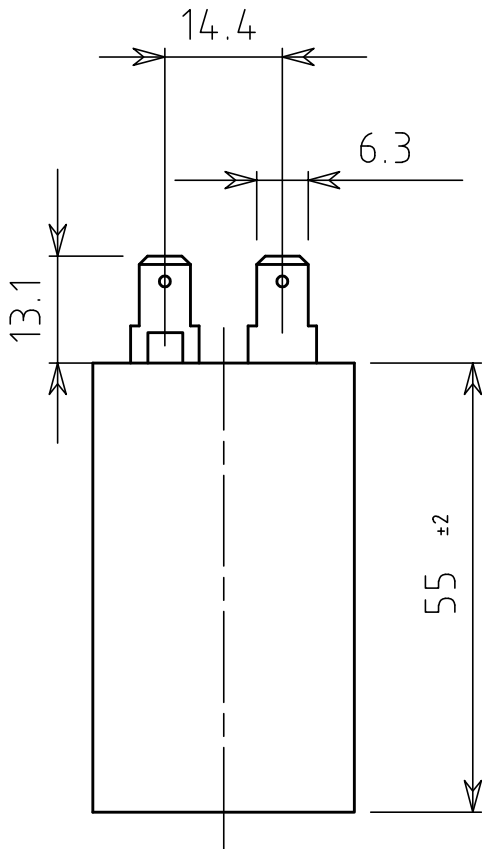


UNI EN 29001  
ISO 9001

Member of



The reproduction and/or divulgation of this drawing or its included informations is strictly prohibited unless authorized by the owning company DUCATI S.p.A.  
E' vietata la riproduzione e/o la divulgazione di questo disegno unitamente alle informazioni in esso contenute senza l'autorizzazione della DUCATI S.p.A.



Characteristics:

Self healing metallized polypropylene film, dry sealed with polyurethane resin.  
Case and sealing cover in self-extinguishing plastic material (V2 class according UL94 test).

Cover material properties:

Ball pressure test (IEC 60695-10-2): 125°C  
Glow wire test (IEC 60695-2-11): 850°C  
Tracking resistance (IEC 60112): >= 250V

DUCATI code: 416172360

Capacitance Tolerance: 1.5 µF±5%

Test voltage (routine test):

Between terminals: 1000Vac 2sec

Climatic category: -25/85/21

Safety class: S0

Protection degree: IP 00

Operation classes and approvals: see marking

Reference standards: EN60252-1/A1

Marking layout:

416.17.23..

1.5 µF ±5%

425V~ 30000h/cl.A  
475V~ 10000h/cl.B  
500V~ 3000h/cl.C

-25/85/21 S0  $\ddagger$   
50-60 Hz  $\ddagger$

EN 60252-1/A1

Ed.	Descrizione/Description						Data/Date Firma/Sign.
MODIFICHE/REVISIONS							
<b>DUCATI</b> energia s.p.a.		TOLL. QUOTE LIBERE (TOLERANCE RATE) UNI-ISO 2768-m	TOLL. QUOTE LIBERE ANG. (ANG. TOLERANCE RATE)	SCALA/SCALE	DATA/DATE	FIRMA/DRAWN	VISTO/CHECKED
	OGGETTO/PART NAME	Dimensions for metallized polypropylene film capacitor for A.C. use.			28/05/26	Ciccola	
						CODICE/PART NR.	<b>416172360</b>
						EDIZ./EDIT.	