

E/NS 35 N - End bracket

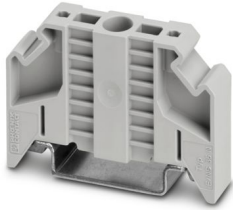
0800886

<https://www.phoenixcontact.com/ie/products/0800886>



Please be informed that the data shown in this PDF document is generated from our online catalog. Please find the complete data in the user documentation. Our general terms of use for downloads are valid.

End clamp, width: 9.5 mm, color: gray



Your advantages

- Large-surface marking

E/NS 35 N - End bracket

0800886

<https://www.phoenixcontact.com/ie/products/0800886>

Technical data

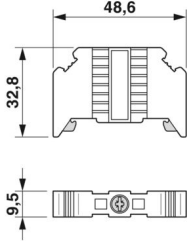
Product properties

Product type	End bracket
--------------	-------------

Connection data

Screw thread	M3
Tightening torque	0.5 ... 0.8 Nm

Dimensions

Dimensional drawing	
Width	9.5 mm
Height	48.6 mm
Depth	32.8 mm
Depth on NS 35/7,5	34.3 mm
Length	48.6 mm

Material specifications

Color	gray (RAL 7042)
Material	PA
Flammability rating according to UL 94	V0
Static insulating material application in cold	-60 °C
Temperature index of insulation material (DIN EN 60216-1 (VDE 0304-21))	125 °C
Relative insulation material temperature index (Elec., UL 746 B)	130 °C

Environmental and real-life conditions

Ambient conditions

Ambient temperature (operation)	-60 °C ... 105 °C (max. short-term operating temperature RTI Elec.)
Ambient temperature (storage/transport)	-25 °C ... 60 °C (for a short time, not exceeding 24 h, -60 °C to +70 °C)
Ambient temperature (assembly)	-5 °C ... 70 °C
Ambient temperature (actuation)	-5 °C ... 70 °C
Permissible humidity (storage/transport)	30 % ... 70 %

Mounting

E/NS 35 N - End bracket



0800886

<https://www.phoenixcontact.com/ie/products/0800886>

Mounting type	NS 35/7,5
	NS 35/15

Phoenix Contact 2026 © - all rights reserved

<https://www.phoenixcontact.com>

Phoenix Contact (Ireland) Ltd
C6 The Exchange, Calmount Park, Ballymount
Dublin 12, D12 XE18
+353/1/2051-300
info@phoenixcontact.ie