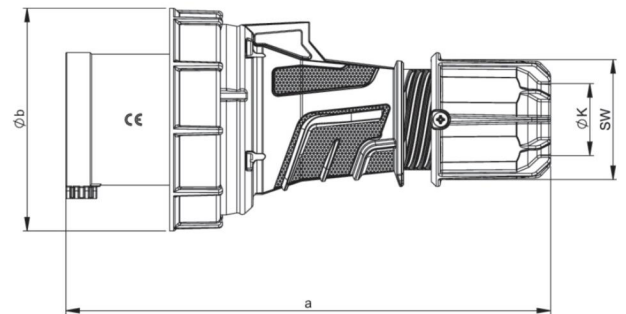


|                        |   |
|------------------------|---|
| article#               | <b>033-6</b>  |
| article description    | <b>CEE-plug 63A 3p 6h IP67 POWER TWIST</b>  |
| description long       | CEE-plug 63A 3p 6h IP67 POWER TWIST<br>housing material: PA6<br>rated current: 63A<br>number of poles: 3 (2P+PE)<br>clock-position: 6h<br>rated voltage/frequency: 200-250V~ / 50+60Hz<br>contacts: brass nickel plated, with pilot pin<br>connection technology: frame terminals with screws<br>IP protection class: IP66/IP67 |
| GTIN (EAN)             | 9003399039829   |
| country of origin      | AT  |
| customs number         | 85366990  |
| net weight             | 0.570 kg  |
| packaging quantity     | 2   |
| minimum order quantity | 2   |

|                                 |                       |
|---------------------------------|-----------------------|
| ETIM 10.0                       | EC000140              |
| IEC-amperage                    | 63 A                  |
| Number of poles                 | 3                     |
| Voltage according to EN 60309-2 | 230 V (50+60 Hz) blue |
| Clock hour position             | 6 h                   |
| Identification colour           | Blue                  |
| RAL-number                      | 7046                  |
| Degree of protection (IP)       | IP67                  |
| Connection system               | Screwed terminal      |
| Cable entry                     | Gland nut             |
| Suitable for cable diameter     | 14.5 – 36 mm          |
| Angle of plug                   | Straight              |
| Material                        | Plastic               |
| Contact material                | CuZn                  |
| Surface treatment contacts      | Nickel-plated         |

|                        |                      |
|------------------------|----------------------|
| a                      | 250 mm               |
| b                      | 115 mm               |
| K (cable Ø)            | 14,5-36 mm           |
| SW                     | 61 mm                |
| wire flexible          | 6-16 mm <sup>2</sup> |
| contact screws         | 200 Ncm              |
| connecting screws      | 200 Ncm              |
| strain relief          | 1500 Ncm             |
| dismantling length     | 100 mm               |
| stripping length       | 15-18 mm             |
| ambient temperature    | -25 – 40 °C          |
| temperature resistance | -25 – 80 °C          |
| IK-code *)             | IK09                 |



<https://www.pcelectric.at/shop/en/?func=detail&artnr=033-6>



\*) The IK-test is not part of the IEC 60309 standard for industrial plugs and socket-outlets or the IEC 60884 standard for household plugs and socket-outlets. PC Electric GmbH has therefore tested the IK-codes of these products in accordance with IEC 62262 and according to the test method of IEC 60068-2-75 Ehc, with conditioning for 48 hours at 40°C and a relative humidity of 95%.